

# Sundi WPC Decking Installation Guide

According to the properties of WPC material, we work out a professional and standard installation instruction so as to facilitate the calculation of engineering materials, as well as save installation time and engineering cost.

The machine operated methods to WPC material are including cutting, sawing, drilling, tenoning, etc.

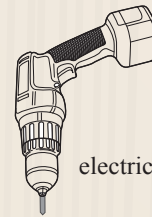
Step by step introduction as following.

## 1. Material required for installation

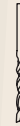
Tool: electric hand drill, drill



churndrill



electric hand



drill

Accessories: inflation pipe, self-tapping screw(5\*70mm), stainless steel self-tapping screw(3.9\*35mm), stainless steel self-tapping screw(3.9\*25mm), plastic clips and metal clips.



SDETNO. 8



SDTS5\*70



SDTS3. 9\*35



SDTS3. 9\*25

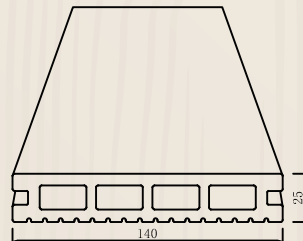


SDLP001

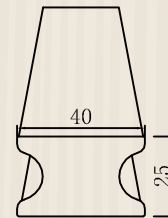


SDMP001

WPC profile: decking-SLD140H25A, decking joist- SLD40Y25

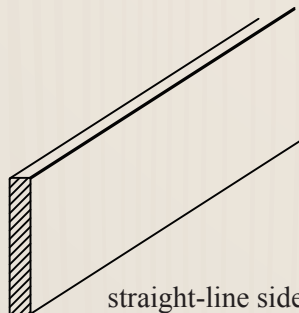


SLD140H25A

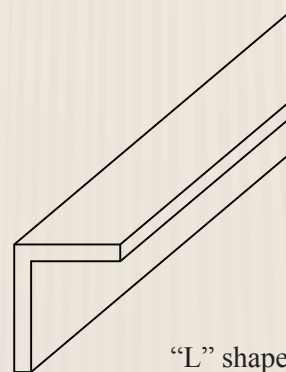


SLD40Y25

WPC side panel: straight-line side panel; "L" shape side panel



straight-line side panel



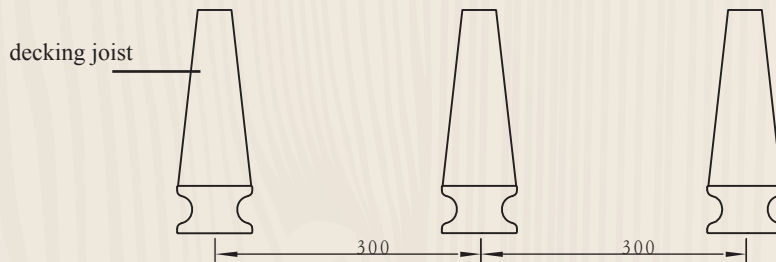
"L" shape side panel

## 2. Decking Joist Installation

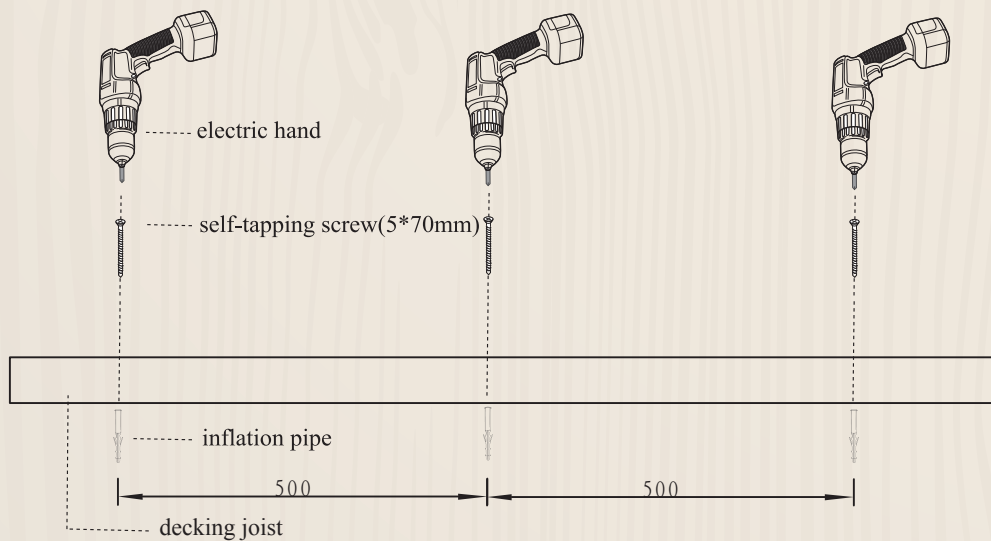
Using the churndrill dig a hole on the hard ground before install the decking joist.

In terms of the different ground condition, we have developed two set of plans to instal the joist as follows:

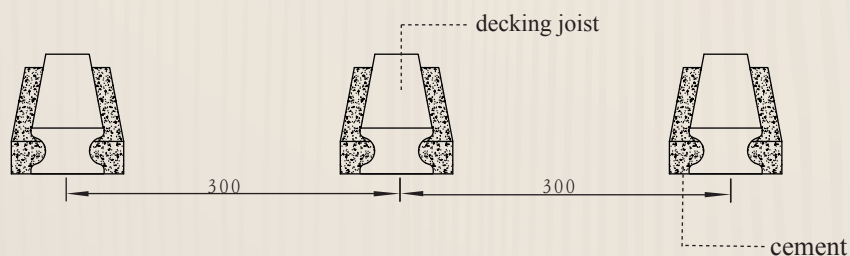
**Method 1:** The joist shall be placed on a rigid level ground first, and we suggest there is 300~350mm space between each joist.



First-drill holes which should be punched through the joist with electric drill; next-put the inflation pipe into those holes, then drive into self-tapping screws to make it fixed, for the screw which used for fixing the joist, the space between each is around 500mm. And then fix the joist with screw one by one, please make sure that the left and right of joist should be on the same level.

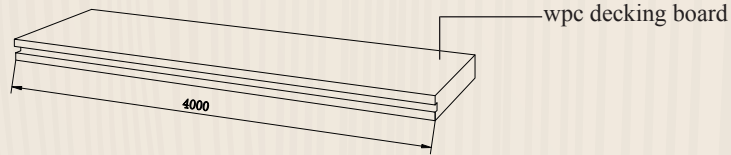


**Method 2:** Place the joist on a rigid level ground first, the spacing in two joist should be between 300~350mm. Then fill the joist to the ground with cement, we suggest that the volume of the cement should reach the 2/3 height of the



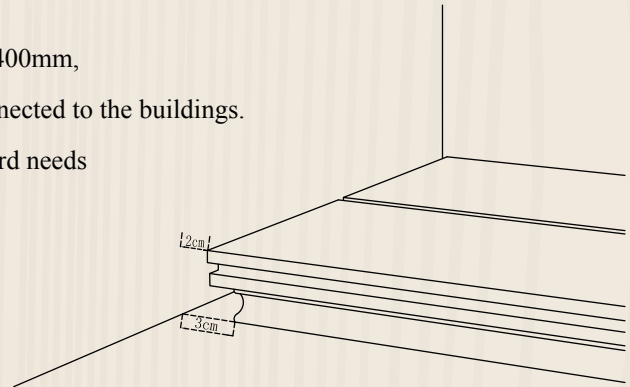
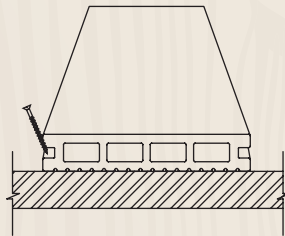
### 3. Grooved Decking Installation Guide

Due to the certain expansion coefficient of WPC material itself,so considering its expansion and contraction properties,the maximal length of the decking board should be around 4m.

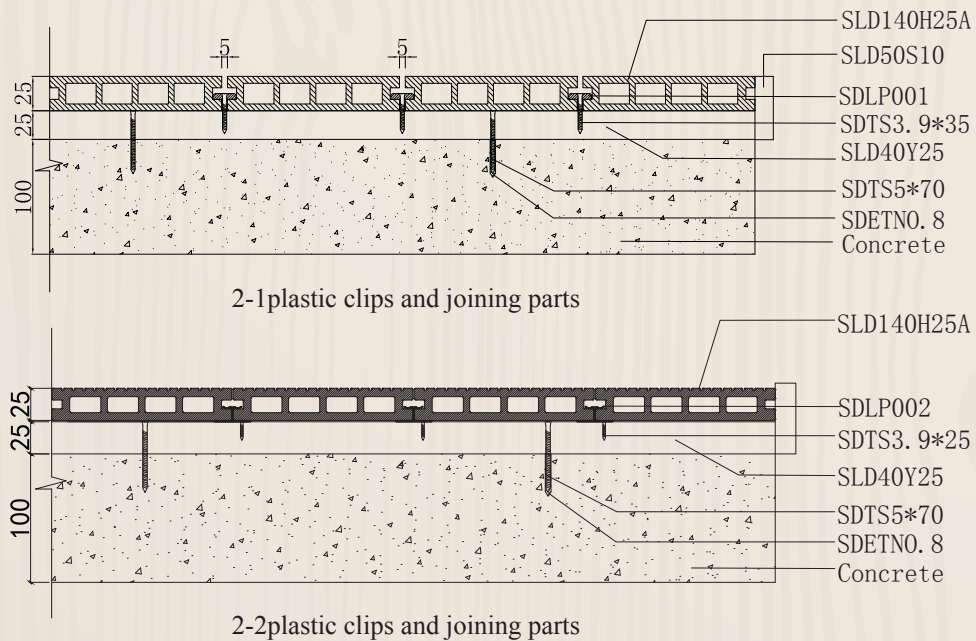


The space between two joists should in the range of 300~400mm, a gapping of 2cm is essential in case of the decking is connected to the buildings.

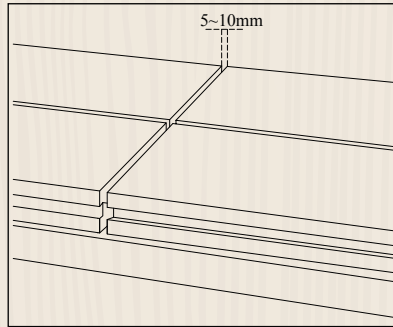
- (1). When installing the first decking,the edge of the board needs to be fixed with screws to avoid sliding to outside.



- (2).Using clips to joint the decking.



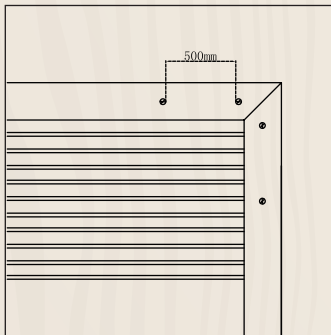
- (3). The gap between two single decking pieces ranges from 5-7 mm for use of plastic clips; while it would be within a scope from 2-3 mm for the use of metal ones. On the occasion of a relatively big construction area, a gap of 5-10mm should be left in the length direction of the boards in case of any folding-up caused by thermal expansion and contraction because of the temperature change. (If the local temperatue difference is more obvious, the gapshould be properly adjusted.)



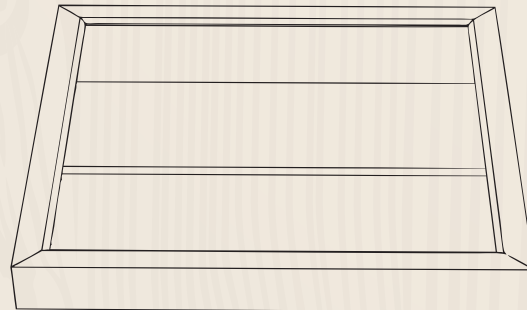
(4).Closing edge:When the decking can't be jointed by clips,you just need to follow the same way as installing the first decking and screwing in stainless steel self-tapping screws at the groove of decking directly.

(5).Cover the side: "L" shape side panel and straight-line side panel are up to your option.

"L" shape side panel

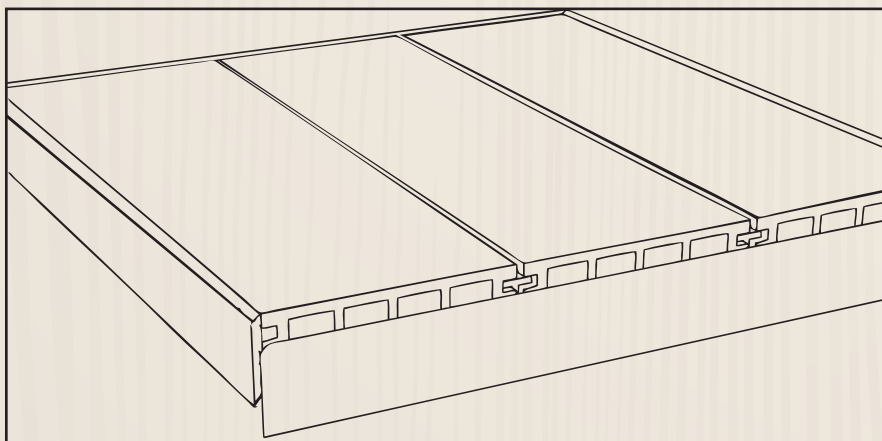


"L" shape side panel plane graph



"L" shape side panel perspective

straight-line side panel

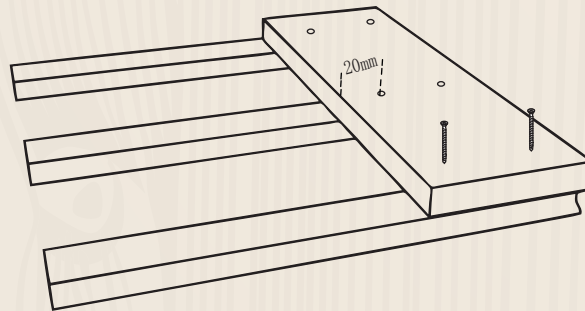


Using stainless steel screws to fasten the chosen side panel to the decking according to the size of the board and joist profile after construction ends,the space between every two screws is around 500mm.When fixing the screws,please note that all the screws should be in a straight line,don't leave the screw heads on the surface and never make it skewed so as to keep a nice overall effect.

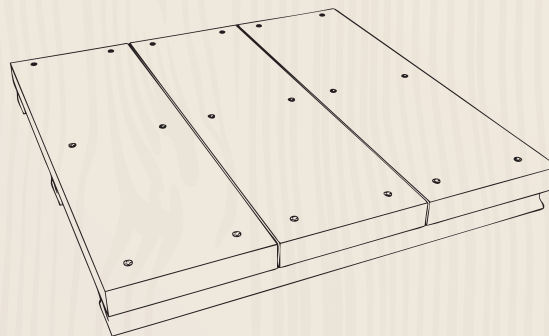
## 4. Non-grooved Decking Installation Guide

Due to the certain expansion coefficient of WPC material itself,so considering its expansion and contraction properties,the maximal length of the decking board should be around 4m and the space between two joists should in the range of 300~400mm, a gapping of 2cm is essential in case of the decking is connected to the buildings(the same way as grooved decking).

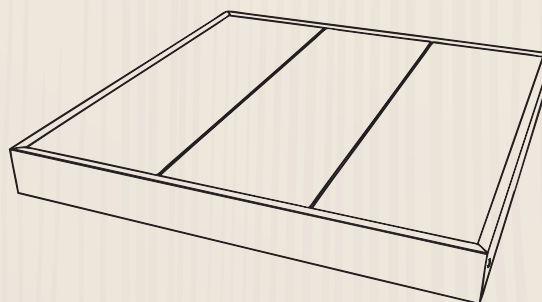
(1).The exposed nails need to be used when installing the Non-grooved decking,and there is a 20mm gap from the position of the nail to the edge of the decking.



(2).Instal them one by one.



(3).“L” shape side panel and straight-line side panel are available.Choose the side panel which is fit for the decking according to the size of the board and joist after construction ends.



The installation method is the same as grooved decking.

Using stainless steel screws to fasten the chosen side panel to the decking according to the size of the board and joist after construction ends,the space between every two screws is around 500mm. When fixing the screws,please note that all the screws should be in a straight line,don't leave the screw heads on the surface and never make it skewed so as to keep a nice overall effect.